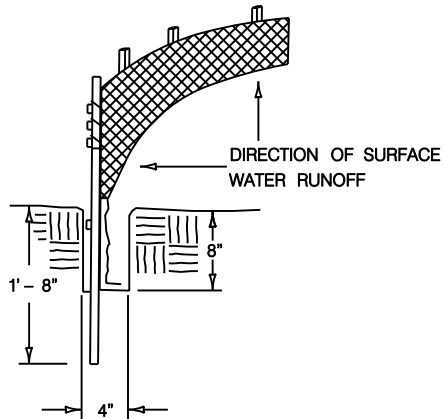
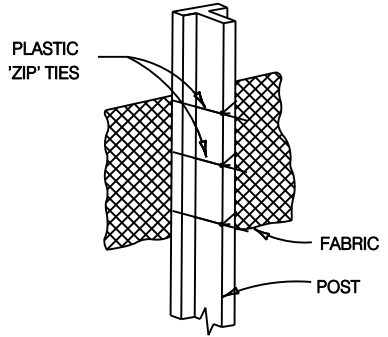


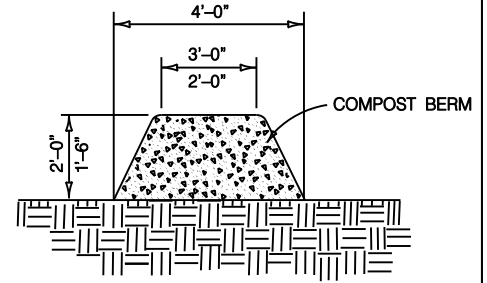
CORNER INSTALLATIONS SHOULD BE CURVED



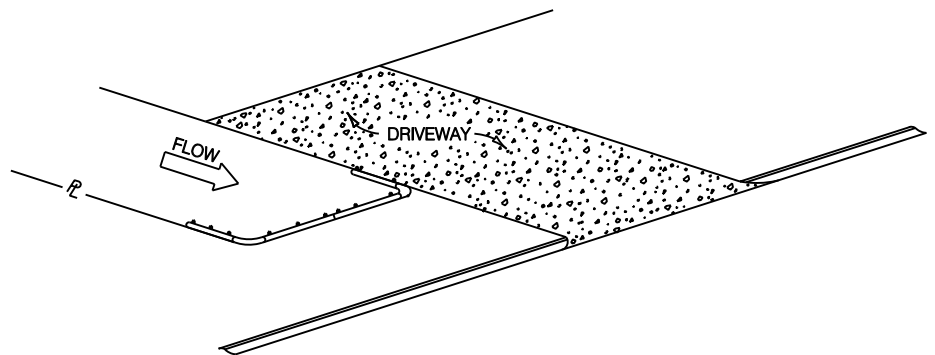
TRENCHING METHOD  
NO SCALE



SUPPORT POST WITH ATTACHMENT TO POST  
NO SCALE



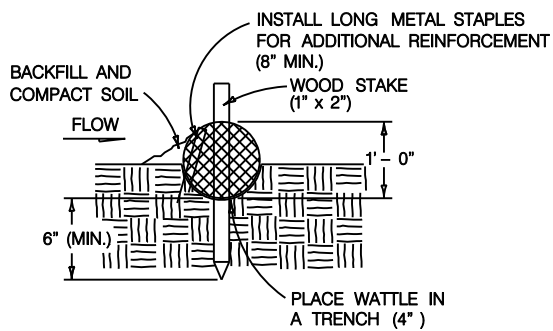
TYPICAL SECTION OF COMPOST BERM  
NO SCALE



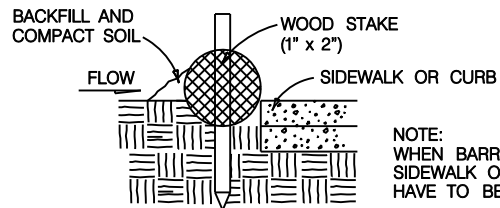
PLAN OF WATTLE LOCATION  
NO SCALE

NOTES:

1. EXTEND END OF WATTLES FAR ENOUGH TO PREVENT RUNOFF FROM FLOWING AROUND THE ENDS OF THE BARRIER.
2. TIGHTLY ABUT WATTLES ENDS TO PREVENT GAPS
3. SPACING BETWEEN STAKES (4'-0" MAX.)
4. WATTLES MUST HAVE A MINIMUM DIAMETER OF 12"



CROSS SECTION  
NO SCALE



CROSS SECTION  
NO SCALE

NOTE:  
WHEN BARRIER IS INSTALLED BEHIND A SIDEWALK OF CURB, WATTLES DOES NOT HAVE TO BE PLACED WITHIN A TRENCH.

**DISCLAIMER: The City of Lincoln does not incur any liability for the use or misuse of these details.**

# SEDIMENT BARRIER INSTALLATIONS